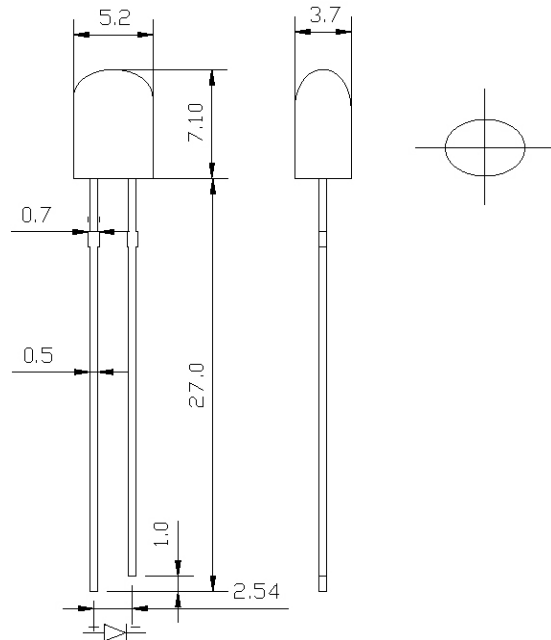


# 5mm OVAL Green LED

## FEATURES

- High light output.
- High color Purity.
- Wide viewing angle.
- Excellent thermal characteristics.
- Reliable and rugged.

## PACKAGE DIMENSIONS



Tolerance: ±0.2

Unit: mm

## ABSOLUTE MAXIMUM RATINGS AT Ta=25°C.

PARAMETER	GREEN	UNIT
Power Dissipation	130	mW
Peak forward current	150	mA
Continuous forward current	30	mA
Derating lineser from 50°C	0.4	mA/°C
Reverse voltage	5	V
Operating temperature range	-40°C to +80°C	
Storage temperature range	-40°C to +80°C	
Lead soldering temperature	260°C for 5 Seconds	

## ELECTRICAL OPTICAL CHARACTERISTICS AT Ta=25°C

PART NO.	EMITTED COLOR	WAVE LENGTH	LEN'S COLOR	FORWARD VOLTAGE			REVERSE CURRENT	LUMINOUS INTENSITY		VIEWING ANGLE	
		$\lambda_D$		$I_f=20mA(V)$			$V_r=5v(\mu A)$	$I_f=20mA(mcd)$		$2\theta$	
				MIN	TYP	MAX	MAX	MIN	TYP	H-H	V-V
T05D4-40	GREEN	505	Green Diffused	3.0	3.6	4.2	10	550	800	80	60