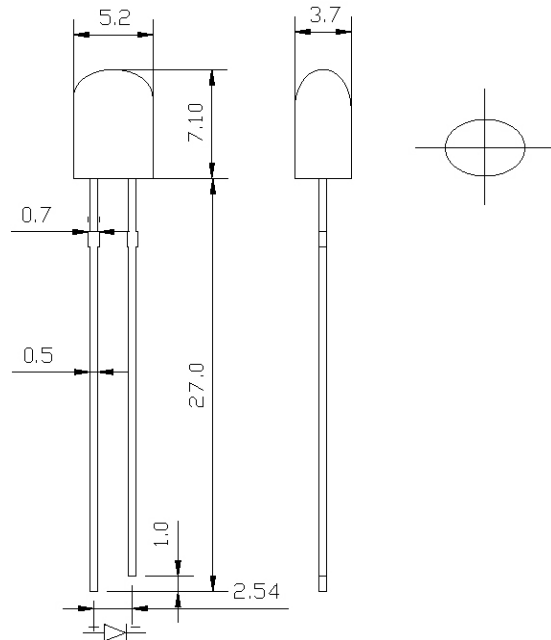


5mm OVAL Amber LED

FEATURES

- High light output.
- High color Purity.
- Wide viewing angle.
- Excellent thermal characteristics.
- Reliable and rugged.

PACKAGE DIMENSIONS



Tolerance: ± 0.2

Unit: mm

ABSOLUTE MAXIMUM RATINGS AT Ta=25°C.

PARAMETER	AMBER	UNIT
Power Dissipation	130	mW
Peak forward current	150	mA
Continuous forward current	30	mA
Derating lineser from 50°C	0.4	mA/°C
Reverse voltage	5	V
Operating temperature range	-40°C to +80°C	
Storage temperature range	-40°C to +80°C	
Lead soldering temperature	260°C for 5 Seconds	

ELECTRICAL OPTICAL CHARACTERISTICS AT Ta=25°C

PART NO.	EMITTED COLOR	WAVE LENGTH (nm)	LEN'S COLOR	FORWARD VOLTAGE I _f =20mA(V)			REVERSE CURRENT V _r =5v(μ A)	LUMINOUS INTENSITY I _f =20mA(mcd)		VIEWING ANGLE 2θ 1/2(deg)	
				MIN	TYP	MAX	MAX	MIN	TYP	H-H	V-V
		λ _D									
T05D4-29	AMBER	591	Amber Diffused	1.90	2.30	2.60	10	550	800	80	60