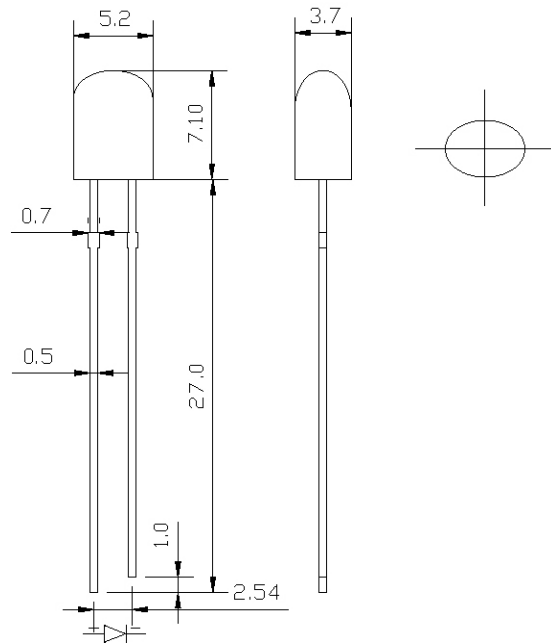


5mm OVAL Red LED

FEATURES

- High light output.
- High color Purity.
- Wide viewing angle.
- Excellent thermal characteristics.
- Reliable and rugged.

PACKAGE DIMENSIONS



Tolerance: ± 0.2

Unit: mm

ABSOLUTE MAXIMUM RATINGS AT Ta=25°C.

PARAMETER	RED	UNIT
Power Dissipation	130	mW
Peak forward current	150	mA
Continuous forward current	30	mA
Derating lineser from 50°C	0.4	mA/°C
Reverse voltage	5	V
Operating temperature range	-40°C to +80°C	
Storage temperature range	-40°C to +80°C	
Lead soldering temperature	260°C for 5 Seconds	

ELECTRICAL OPTICAL CHARACTERISTICS AT Ta=25°C

PART NO.	EMITTED COLOR	WAVE LENGTH	LEN'S COLOR	FORWARD VOLTAGE			REVERSE CURRENT	LUMINOUS INTENSITY		VIEWING ANGLE	
		(nm)		I _F =20mA(V)			V _r =5v(μ A)	I _F =20mA(mcd)		2 θ 1/2(deg)	
		λ _D		MIN	TYP	MAX	MAX	MIN	TYP	H-H	V-V
T05D4-10	RED	628	Red Diffused	1.90	2.30	2.60	10	770	850	80	60