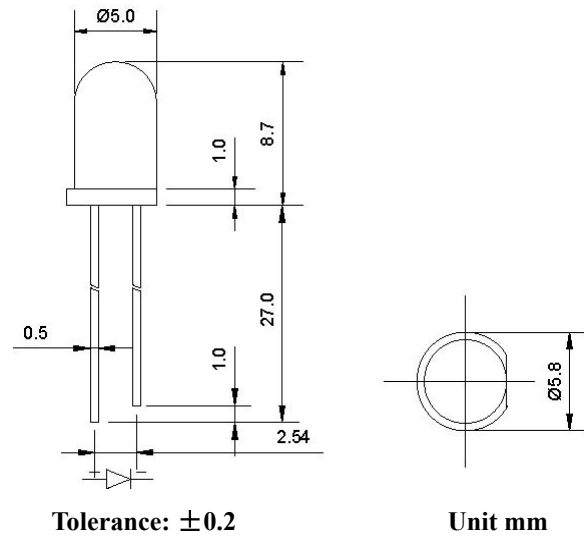


# 5mm GREEN LED

## FEATURES

- Standard diameter 5mm package.
- Water clear.
- Viewing angle: 16°
- High radiant power.
- Long life and high reliability.
- I.C. compatible.

## PACKAGE DIMENSIONS



## ABSOLUTE MAXIMUM RATINGS AT Ta=25°C.

PARAMETER	GREEN	UNIT
Power Dissipation	100	mW
Continuous forward current	30	mA
Peak forward current	120	mA
Derating linerer from 50°C	0.4	mA/°C
Reverse voltage	5	V
Operating temperature range	-20°C to +80°C	
Storage temperature range	-30°C to +80°C	
Lead soldering temperature	260°C for 5 Seconds	

## ELECTRICAL OPTICAL CHARACTERISTICS AT Ta=25°C

PART NO.	EMITTED COLOR	WAVE LENGTH (nm)	LEN'S COLOR	FORWARD VOLTAGE I <sub>f</sub> =20mA(V)			REVERSE CURRENT V <sub>r</sub> =5v(μ A)	LUMINOUS INTENSITY I <sub>f</sub> =20mA(mcd)		VIEWING ANGLE 2 θ 1/2(deg)
		λ <sub>D</sub>		MIN	TYP	MAX	MAX	MIN	TYP	
T05C0-40	Green	525nm	Water Clear	2.80	3.40	4.00	10	8000	14000	16