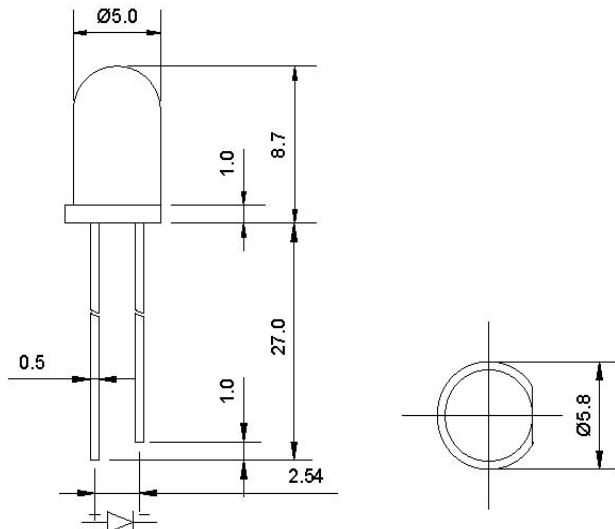


5mm RED LED

FEATURES

- Standard diameter 5mm package.
- Water clear.
- Viewing angle: 16°
- High radiant power.
- Long life and high reliability.
- I.C. compatible.

PACKAGE DIMENSIONS



Tolerance: ± 0.2

Unit mm

ABSOLUTE MAXIMUM RATINGS AT Ta=25°C.

PARAMETER	SYMBOL	RED	UNIT
Power Dissipation	P_d	120	mW
Continuous forward current	I_{fm}	30	mA
Peak forward current	I_f	150	mA
Reverse Voltage	V_r	5	V
Operating temperature range	T_{opr}	-40°C to +80°C	
Storage temperature range	T_{sta}	-40°C to +80°C	
Lead soldering temperature	T_{sol}	260°C for 5 Seconds	

ELECTRICAL OPTICAL CHARACTERISTICS at Ta=25°C

PART NO.	EMITTED COLOR	WAVE LENGTH (nm)	LEN'S COLOR	FORWARD VOLTAGE $I_f=20mA(V)$			REVERSE CURRENT $V_r=5v(\mu A)$	LUMINOUS INTENSITY $I_f=20mA(mcd)$		VIEWING ANGLE $2\theta 1/2(deg)$
		λ_D		MIN	TYP	MAX	MAX	MIN	TYP	
T05C0-10	RED	$630 \pm 5nm$	Water Clear	1.60	2.150	2.80	10	7000	10000	16